



Product description

D8 LED beacon with 72pcs high brightness LED lamp and intelligent IC control function, shade with focus function, more flash brightness, better quality, running stabler. Used in electrical power, telecommunications, machine tools, shipbuilding, printing, mining machinery and other equipment for indication signal, notice the signal, accident signal.

Product Parameter

Power Consumption : 6W

Voltage: DC 12V

Operating Temperature: -30°C -60°C

Color Optional: Red, Blue, Yellow, Green

Lamp Beads: Φ 5 straw hat lamp LED

Operating Mode: Strobe

Material: Import highly transparent Carbonate Material

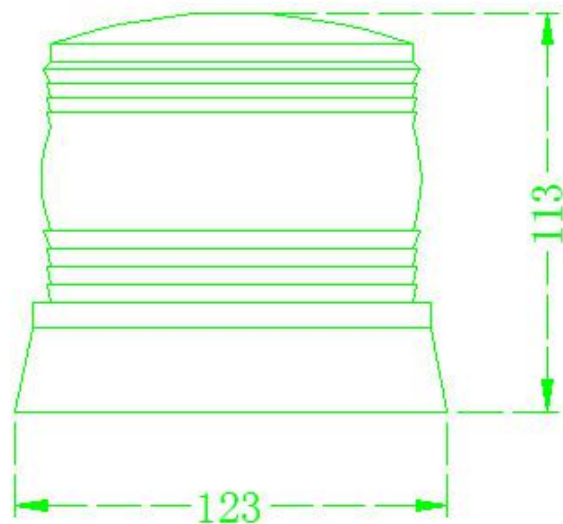
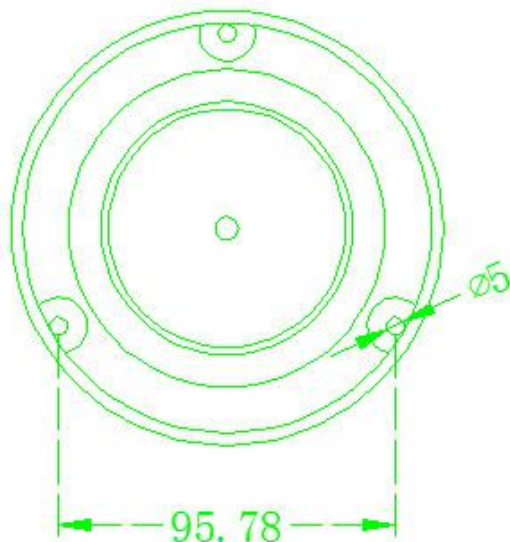
Fix type: Screw type + Magnetic

IP rating : IP53

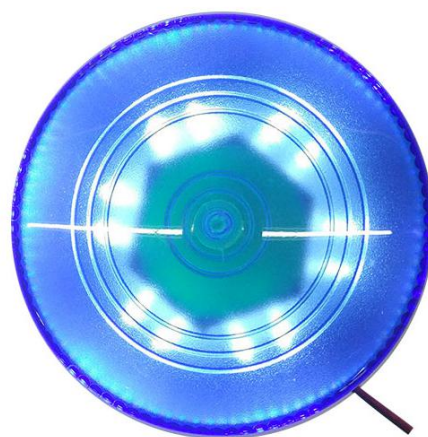
D123mm*H113mm

Dimension: D123mm*H113mm

Dimensional Drawing



more reference pictures



Application

